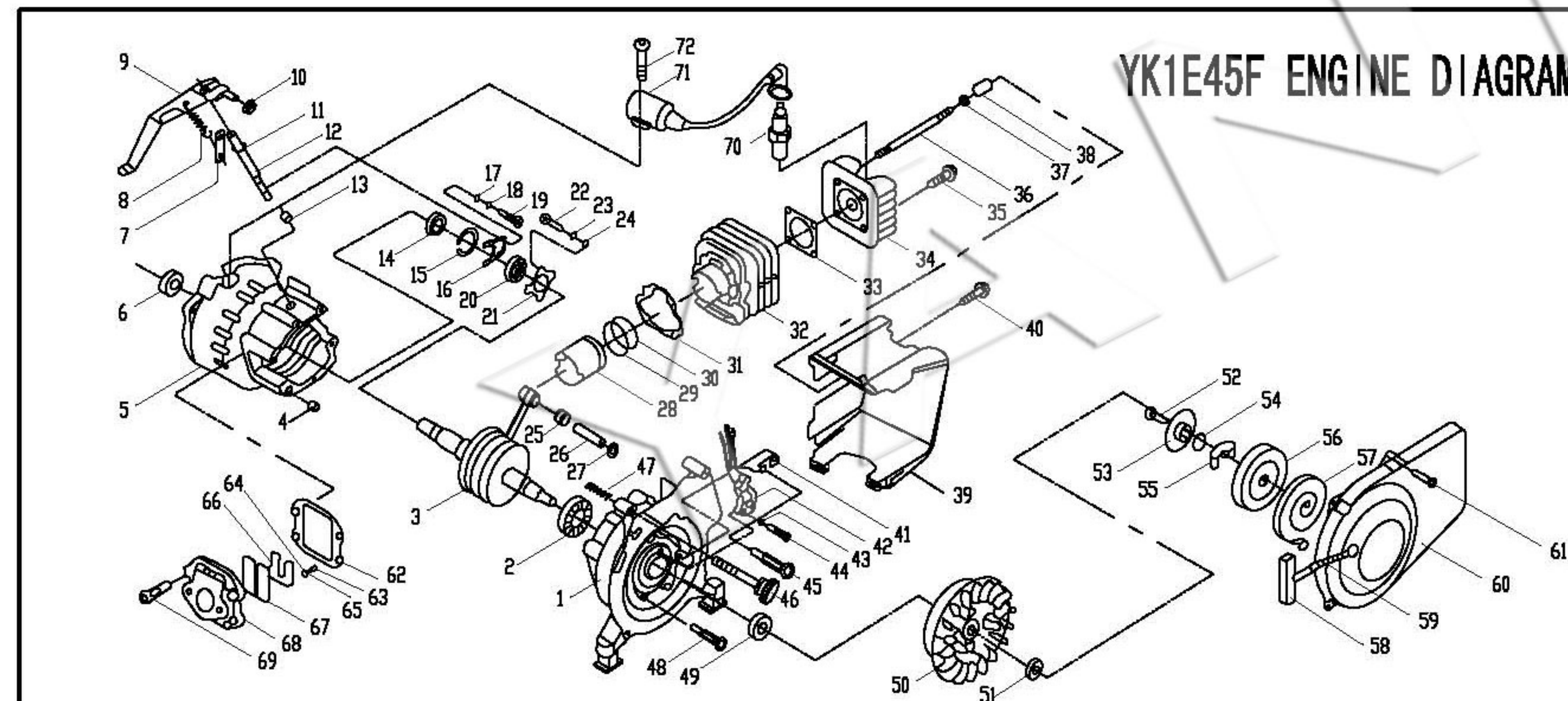
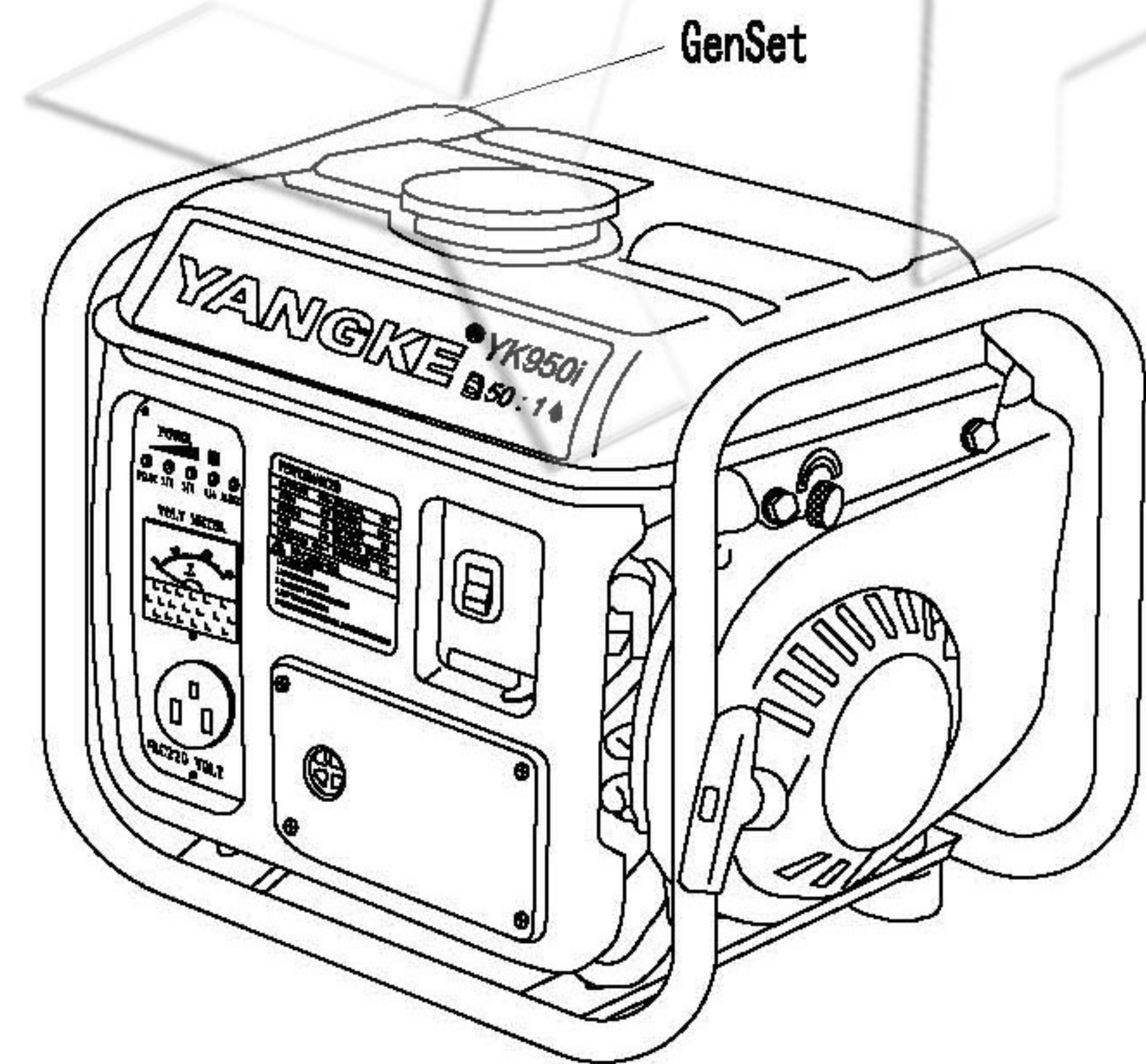
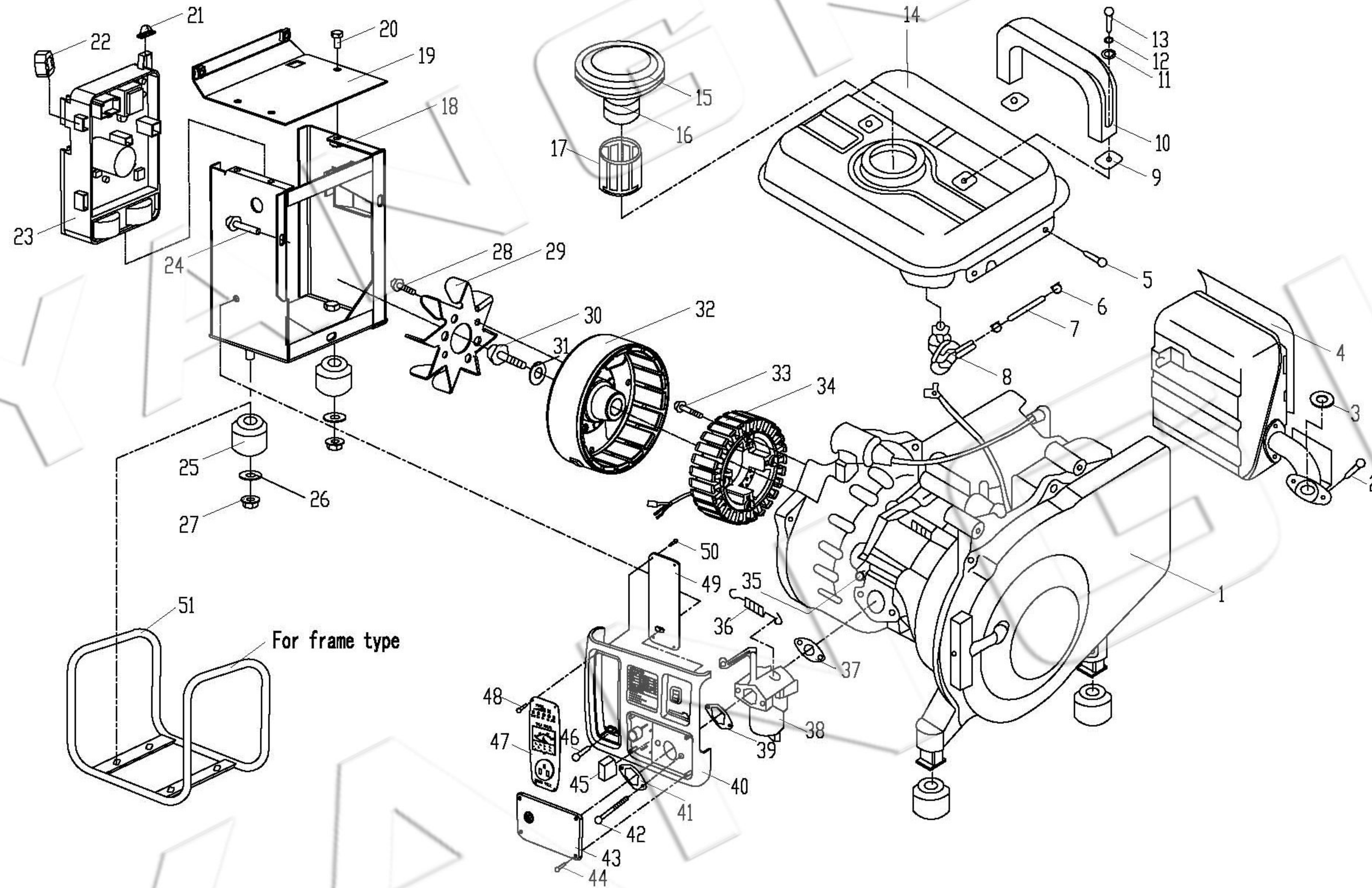


YK950i DIGITAL INVERTER GENERATOR DIAGRAM. (MACHINE GOVERNOR)



CATALOG

NO.	Part No.	Description	Qty.	NO.	Part No.	Description	Qty.
1	1.1	Engine	1	1	1.1.1	Crankcase (A)	1
2	1.2	Screw M6x16	2	2	1.1.2	Bearing	2
3	1.3	Exhaust gasket	1	3	1.1.3	Crankshaft assembly	1
4	1.4	Muffler	1	4	1.1.4	Pin	2
5	1.5	Screw M16x16	4	5	1.1.5	Crankcase(B)	1
6	1.6	Clip	2	6	1.1.6	Oil seal	1
7	1.7	Fuel hose	1	7	1.1.7	Throttle adjustment plate	1
8	1.8	Fuel cock	1	8	1.1.8	Governing spring	1
9	1.9	Gasket	2	9	1.1.9	Governor arm	1
10	1.10	Carrying handle	1	10	1.1.10	Num M6	1
11	1.11	Washer 6	2	11	1.1.11	Clip	1
12	1.12	Spring washer 6	2	12	1.1.12	Governor shaft	1
13	1.13	Screw M6x30	2	13	1.1.13	Oil seal	1
14	1.14	Fuel tank	1	14	1.1.14	Bearing	1
15	1.15	Fuel tank cap	1	15	1.1.15	Clip	1
16	1.16	Oil cap	1	16	1.1.16	Governor fork	1
17	1.17	Fuel filter	1	17	1.1.17	Screw M6x12	1
18	1.18	Inverter frameset	1	18	1.1.18	Spring washer 3	2
19	1.19	Top-inverter cover	1	19	1.1.19	Screw m3x8	2
20	1.20	Screw M16x10	3	20	1.1.20	Collar	1
21	1.21	Side vibration absorber pad	1	21	1.1.21	Flyweight assembly	1
22	1.22	Inverter vibration absorber pad	2	22	1.1.22	Screw m6x12	2
23	1.23	Inverter	1	23	1.1.23	Spring washer 6	2
24	1.24	Screw M6x16	3	24	1.1.24	Washer 6	2
25	1.25	Vibration absorber	4	25	1.1.25	Bearing	1
26	1.26	Washer 8	2	26	1.1.26	Poston pin	1
27	1.27	Num M8	2	27	1.1.27	Clip	2
28	1.28	Screw M6x10	2	28	1.1.28	Poston	1
29	1.29	Fan	1	29	1.1.29	Poston ring (B)	1
30	1.30	Screw M8x28	1	30	1.1.30	Poston ring (A)	1
31	1.31	Washer 8	1	31	1.1.31	Gasket	1
32	1.32	Rotor	1	32	1.1.32	Cylinder	1
33	1.33	Screw M5x30	4	33	1.1.33	Gasket	1
34	1.34	Stator unit	1	34	1.1.34	Cylinder head	1
35	1.35	Carburetor connecting	1	35	1.1.35	Screw M6x100	2
36	1.36	Carburetor spring	1	36	1.1.36	Bolt	2
37	1.37	Carburetor gasket (A)	1	37	1.1.37	Washer	2
38	1.38	Carburetor	1	38	1.1.38	Num M6	2
39	1.39	Carburetor gasket (B)	1	39	1.1.39	Air shroud	1
40	1.40	Control panel unit	1	40	1.1.40	Screw M6x10	2
41	1.41	Screw	1	41	1.1.41	Clamp	1
42	1.42	Screw M6x60	2	42	1.1.42	Coil assembly	1
43	1.43	Air filter cover	1	43	1.1.43	Spring washer 6	1
44	1.44	Screw M4x16	4	44	1.1.44	Screw m6x16	2
45	1.45	Air filter core	1	45	1.1.45	Screw m6x55	2
46	1.46	Screw M6	1	46	1.1.46	Load adjustment Screw	1
47	1.47	Pane Assembly	1	47	1.1.47	Spring	1
48	1.48	Screw ST3.2x8	4	48	1.1.48	Screw M6x50	4
49	1.49	Connector	1	49	1.1.49	Oil seal	1
50	1.50	Screw ST3.2x8	4	50	1.1.50	Flywheel magneto	1
51	1.51	Frameset Assembly	1	51	1.1.51	Flywheel magneto nut M10X1.25	1
				52	1.1.52	Screw M6x12	1
				53	1.1.53	Friction plate	1
				54	1.1.54	Clip	1
				55	1.1.55	Ratchet	1
				56	1.1.56	Reel	1
				57	1.1.57	Spiral spring	1
				58	1.1.58	Starter handle	1
				59	1.1.59	Rope	1
				60	1.1.60	Fan case	1
				61	1.1.61	Screw M6x12	4
				62	1.1.62	Gasket	1
				63	1.1.63	Screw M3x8	2
				64	1.1.64	Spring washer 3	2
				65	1.1.65	Washer 6	2
				66	1.1.66	Reel valve plate	1
				67	1.1.67	Reel valve	1
				68	1.1.68	Manifold	1
				69	1.1.69	Screw M3x8	4
				70	1.1.70	Spark plug	1
				71	1.1.71	Ignition coil	1
				72	1.1.72	Screw M6x16	1

**SHANGHAI YANGKE
ENGINE IMP. & EXP. CO.,LTD.**