

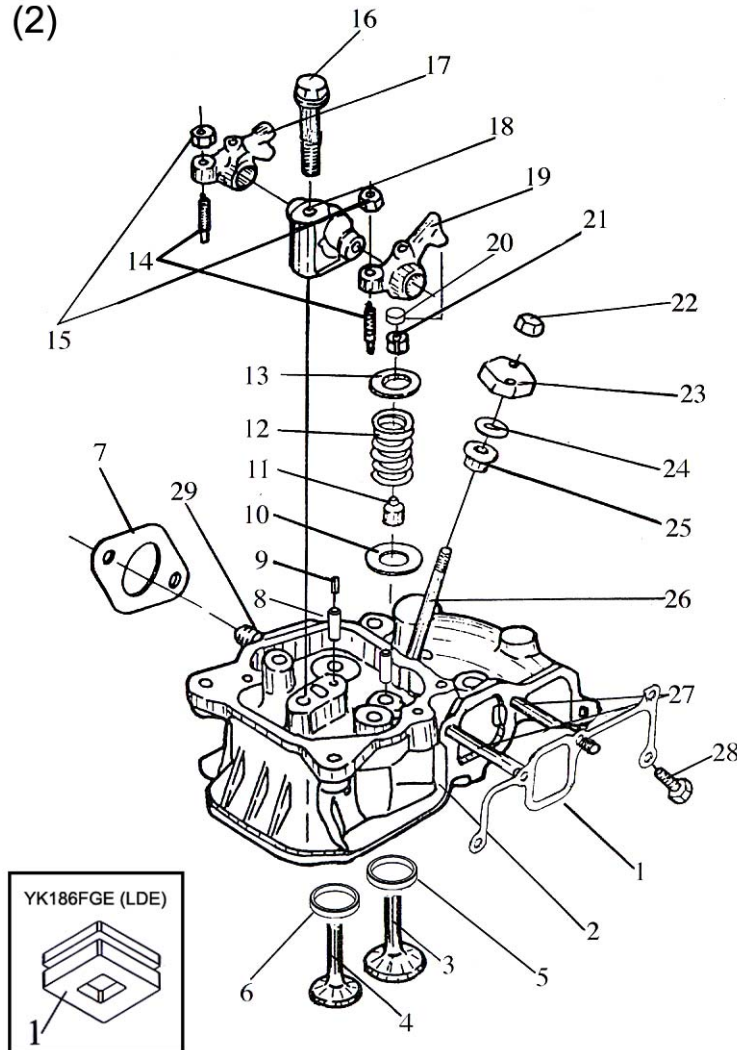
(1) Cylinder Block Assembly (YK186F-01000)

| Ref No. | Part No. | Description | Qty. |
|---------|-------------------------|---|------|
| 1 | YK168F-01018 | Drain Plug | 1 |
| 1-1 | YK186FGE (LDE)-01018-01 | Connecting bolt of drain | 1 |
| 2 | YK168F-01100 | Washer Unit of Drain Plug | 1 |
| 3 | GB/T9877.1-1988 | Oil Seal SG35x50x8 (rear) | 1 |
| 4 | YK186F-01001 | Cylinder Block | 1 |
| 5 | YK168F-11200 | Fuel Controller Assembly | 1 |
| 6 | GB/T1235-1976 | O-Ring 24x2.4 | 2 |
| 7 | YK178F-01002 | Oil Dipstick | 2 |
| 8 | GB/T6173-2000 | Nut M10x1.25 | 1 |
| 9 | YK168F-01012 | Forcing Stud of Fuel Injection Pump (Short) | 1 |
| 10 | YK168F-01011 | Forcing Stud of Fuel Injection Pump (Long) | 2 |
| 11 | YK168F-10014 | Fuel Injection Pump Washer | 2 |
| 12 | GB/T6177.1-2000 | Nut M6 | 3 |
| 13 | YK168F-10016 | Joint Washer | 1 |
| 14 | YK168F-10015 | Seal Plate | 1 |
| 15 | GB/T276-1994 | Ball Bearing 6308/P5 | 1 |
| 16 | YK168F-01009 | Thrust Plate | 1 |
| 17 | GB/T5789-1986 | Bolt M8x12 | 1 |

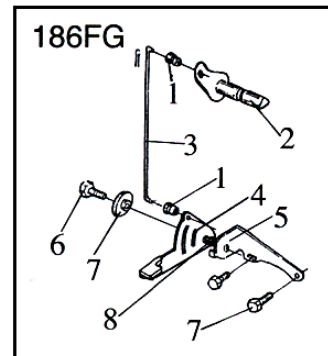
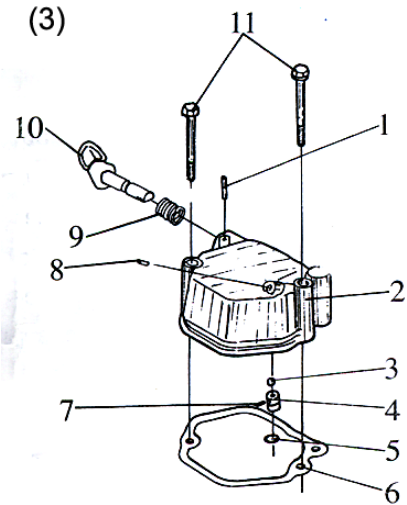
YK186F AIR-COOLED DIESEL ENGINE PARTS CATALOG

| | | | |
|----|-----------------|---------------------------------|----|
| 18 | GB/T290-1989 | Needle Bearing HK1512 | 1 |
| 19 | YK186F-01003 | Cylinder Head Stud Bolt (Short) | 2 |
| 20 | YK186F-01005 | Cylinder Head Nut Gasket | 4 |
| 21 | YK186F-01004 | Cylinder Head Nut (Thin) | 2 |
| 22 | YK186F-01013 | Cylinder Head Shim | 1 |
| 23 | YK186F-01007 | Cylinder Head Nut (Thick) | 2 |
| 24 | GB/T5789-1986 | Bolt M6x18 | 1 |
| 25 | YK186F-01200 | Governor unit | 1 |
| 26 | YK186F-01008 | Sheet Gasket | 1 |
| 27 | YK186F-01006 | Cylinder Head Stud Bolt (Long) | 2 |
| 28 | YK186F-01015 | Crankcase Cover Washer | 1 |
| 29 | GB/T276-1994 | Ball Bearing 6207/P5 | 1 |
| 30 | YK186F-01014 | Main Bearing | 1 |
| 31 | GB/T119.1-2000 | Pin 8x12 | 2 |
| 32 | YK186F-01016 | Crankcase Cover | 1 |
| | YK186FS-01016 | Crankcase Cover | 1 |
| 33 | GB/T9877.1-1988 | Oil Seal SG35x50x8 (front) | 1 |
| 34 | YK168F-01017 | Hexagonal Internal Screw Plug | 1 |
| 35 | GB/T5789-1986 | Bolt M8x33.5 | 16 |
| 36 | YK168F-01021 | Plunger | 3 |
| 37 | YK178F-09003 | Oil conduit | 1 |
| 38 | GB/T290-1989 | Needle Bearing 7941/8 | 2 |
| | YK186FS-01000 | | |
| 1 | YK186FS-01022 | Block | 1 |

(2)



(3)



YK186F AIR-COOLED DIESEL ENGINE PARTS CATALOG

(2) Cylinder Head Assembly (YK186F-020000)

| Ref No. | Part No. | Description | Qty. |
|--------------------|--------------------|---------------------------------|------|
| 1 | YK186F-02014 | Intake Pipe Washer | 1 |
| 2 | YK186F-02202 | Cylinder Head | 1 |
| 3 | YK186F-02004 | Intake Valve | 1 |
| 4 | YK186F-02003 | Exhaust Valve | 1 |
| 5 | YK186F-02203 | Inlet Valve Seat | 1 |
| 6 | YK186F-02204 | Exhaust Valve Seat | 1 |
| 7 | YK186F-02015 | Muffler Shim | 1 |
| 8 | YK186F-02201 | Valve Conduit | 2 |
| 9 | GB/T119.1-2000 | Pin 4x8 | 1 |
| 10 | YK186F-02007 | Valve Spring Gasket | 2 |
| 11 | YK186F-02019 | Valve Conduit Oil Seal | 2 |
| 12 | YK186F-02005 | Valve Spring | 2 |
| 13 | YK186F-02002 | Valve Spring Seal | 2 |
| 14 | YK186F-02008 | Valve Clearance Adjusting Screw | 2 |
| 15 | GB/T6170-2000 | Nut M6 | 2 |
| 16 | YK186F-02017 | Set Bolt of Rocker Arm Seat | 1 |
| 17 | YK186F-02012 | Exhaust Valve Rocker Arm | 1 |
| 18 | YK186F-02006 | Rocker Arm Seat Assembly | 1 |
| 19 | YK186F-02013 | Intake Valve Rocker Arm | 1 |
| 20 | YK186F-02016 | Valve Adjusting Cushion | 2 |
| 21 | YK186F-02001 | Valve Retaining Clip | 4 |
| 22 | GB/T6177.1-2000 | Nut M6 | 2 |
| 23 | YK168F-02009 | Fuel Injection Valve Retainer | 1 |
| 24 | YK168F-02018 | Heat Insulator Gasket | 1 |
| 25 | YK168F-02011 | Heat Insulator | 1 |
| 26 | GB/T900-1988 | Stud AM6x50 | 2 |
| 27 | GB/T900-1988 | Stud AM6x75 | 2 |
| 28 | GB/T5789-1986 | Stud M6x25 | 3 |
| 29 | GB/T899-1988 | Stud AM8x20 | 2 |
| YK186FGE LDE-02000 | | | |
| 1 | YK186FGE LDE-02105 | Rubber plug | 1 |

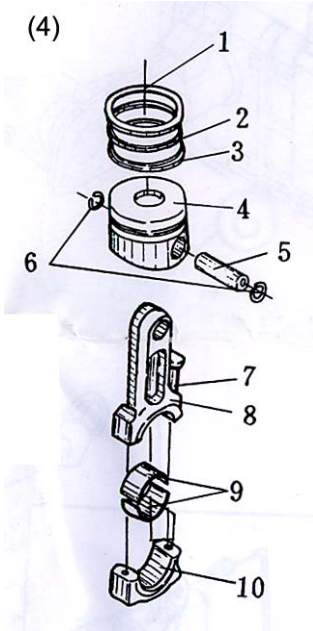
(3) Cylinder Head Cover Assembly (YK186F-030000)

| Ref No. | Part No. | Description | Qty. |
|---------------|----------------|------------------------------|------|
| 1 | GB/T119.1-2000 | Pin 3x16 | 1 |
| 2 | YK186F-03001 | Cylinder Head Cover | 1 |
| 3 | YK168F-03006 | Ball | 1 |
| 4 | YK168F-03007 | Breather Seat | 1 |
| 5 | GB/T1235-1976 | O-Ring 12x1.9 | 1 |
| 6 | YK186F-03003 | Cylinder Head Cover Washer | 1 |
| 7 | YK168F-03008 | Pin | 1 |
| 8 | YK168F-01021 | Plunger | 1 |
| 9 | YK168F-03004 | Decompression Spring | 1 |
| 10 | YK168F-03100 | Decompression Shaft Assembly | 1 |
| 11 | GB/T5789-1986 | Bolt M6x70 | 2 |
| YK186FG-03000 | | | |
| 1 | YK168FG-03012 | Decompression Wire Sheath | 2 |
| 2 | YK168FG-03100 | Decompression Shaft Assembly | 1 |

YK186F AIR-COOLED DIESEL ENGINE PARTS CATALOG

| | | | |
|---|---------------|-----------------------------------|---|
| 3 | YK186FG-03011 | Decompression Wire | 1 |
| 4 | YK168FG-03009 | Outer Decompression Handle | 1 |
| 5 | YK168FG-03008 | Decompression Handle Support | 1 |
| 6 | GB/T5789-1986 | Bolt M6×14 | 3 |
| 7 | YK168FG-03013 | Outer Decompression Handle Sheath | 1 |
| 8 | GB/T6170-2000 | Nut M6 | 1 |

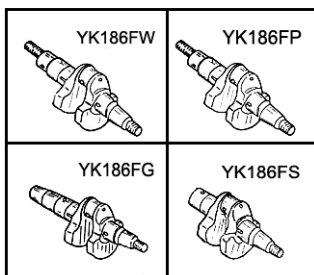
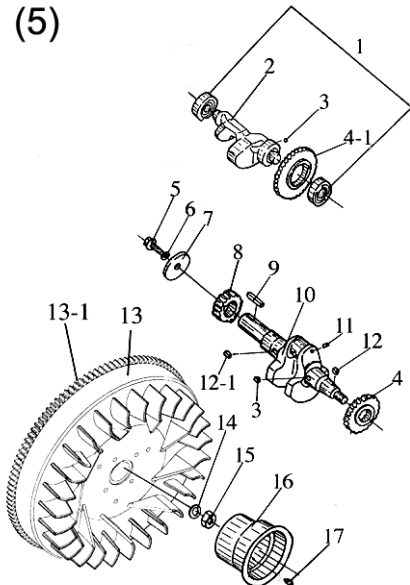
(4)



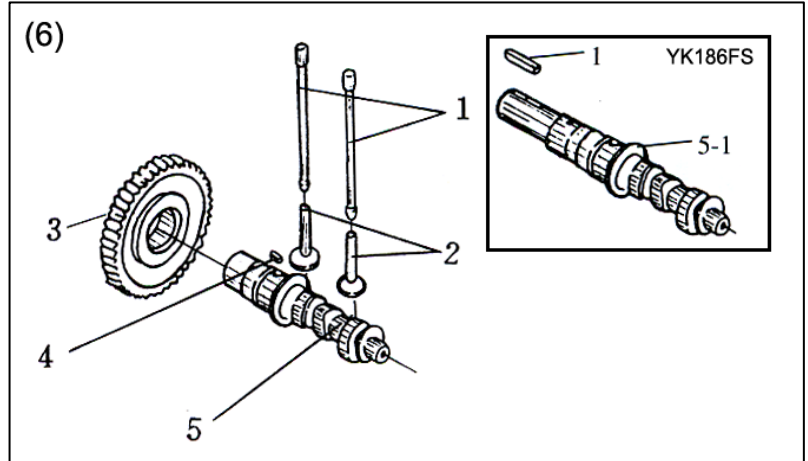
(4) Piston & Connecting Rod Assembly (YK186F-04000)

| Ref No. | Part No. | Description | Qty. |
|---------|----------------|------------------------------|------|
| 1 | YK186F-04001 | First Air Ring | 1 |
| 2 | YK186F-04002 | Second Air Ring | 1 |
| 3 | YK186F-04100 | Oil Ring Assembly | 1 |
| 4 | YK186F-04003 | Piston | 1 |
| | YK186FS-04003 | Piston | 1 |
| 5 | YK186F-04004 | Piston Pin | 1 |
| 6 | GB/T893.1-1986 | Retainer Ring 23 | 2 |
| 7 | YK186F-04008 | Connecting Rod Bolt | 2 |
| 8 | YK186F-04007 | Connecting Rod Block | 1 |
| 9 | YK186F-04005 | Connecting Rod Shaft Bushing | 2 |
| 10 | YK186F-04006 | Connecting Rod Cover | 1 |

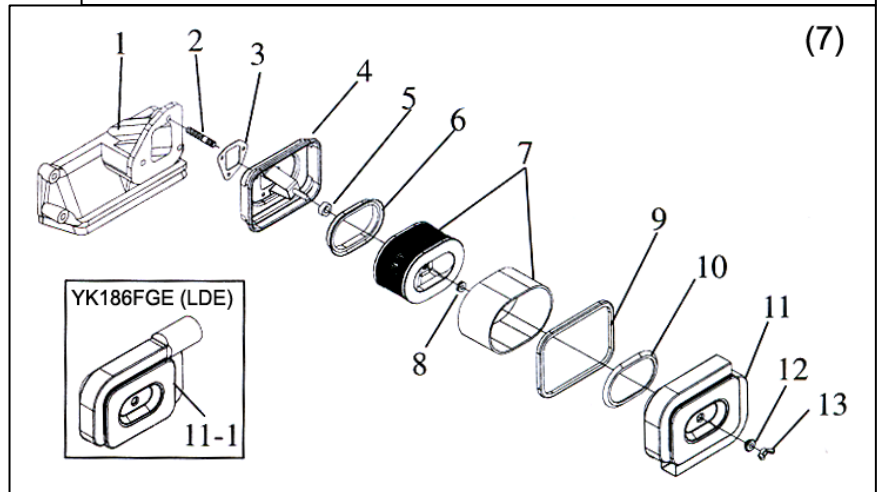
(5)



(6)



(7)



YK186F AIR-COOLED DIESEL ENGINE PARTS CATALOG

(5) Crankshaft & Flywheel Assembly (YK186F-05000)

| Ref No. | Part No. | Description | Qty. |
|---------|---------------|------------------------------|------|
| 1 | GB/T276-1994 | Ball Bearing 6203/P5 | 2 |
| 2 | YK186F-05301 | Balance Shaft | 1 |
| 3 | YK186F-05006 | Key | 2 |
| 4 | YK186F-05004 | Drive Gear of Balance Shaft | 1 |
| 4-1 | YK186F-05004b | Timing Gear of Balance Shaft | 1 |
| 5 | YK186F-05007 | Output End Set Bolt | 1 |
| 6 | GB/T93-1987 | Gasket 10 | 1 |
| 7 | YK178F-05008 | Output End Gasket | 1 |
| 8 | YK186F-05203 | Crankshaft timing Gear | 1 |
| 9 | GB/T1096-1979 | Key 6x50 | 1 |
| 10 | YK186F-05201 | Crankshaft | 1 |
| | YK186FG-05201 | Crankshaft | 1 |
| | YK186FW-05201 | Crankshaft | 1 |
| | YK186FP-05201 | Crankshaft | 1 |
| | YK186FS-05201 | Crankshaft | |
| 11 | YK168F-05202 | Steel Ball | 1 |
| 12 | GB/T1096-1979 | Key 5x12 | 1 |
| 12-1 | GB/T1096-1979 | Key 5x14 | 1 |
| 13 | YK186F-05101 | Flywheel | 1 |
| | YK186FS-05101 | Flywheel | 1 |
| 13-1 | YK186F-05102 | Flywheel tooth | 1 |
| | YK186FS-05102 | Flywheel tooth | 1 |
| 14 | YK186F-05003 | Flywheel Nut Gasket | 1 |
| 15 | YK186F-05002 | Flywheel Nut | 1 |
| 16 | YK186F-05001 | Starting Ratchet Reel | 1 |
| 17 | GB/T5789-1986 | Bolt M6x12 | 4 |

(6) Camshaft Assembly (YK186F-06000)

| Ref No. | Part No. | Description | Qty. |
|---------|---------------|-------------------------|------|
| 1 | YK186F-06100 | Valve Push Rod Assembly | 2 |
| 2 | YK186F-06003 | Valve Tappet | 2 |
| 3 | YK186F-06002 | Camshaft Timing Gear | 1 |
| 4 | GB/T1096-1979 | Key 5x14 | 1 |
| 5 | YK186F-06001 | Camshaft | 1 |
| 5-1 | YK186FS-06001 | Camshaft | 1 |
| | YK186FS-06000 | | |
| 1 | GB/T1096-1979 | Key 8x40 | 1 |

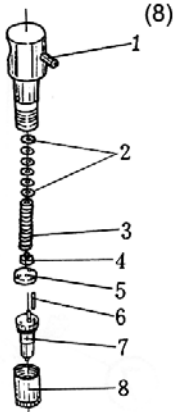
(7) Air Intake System (YK186F-07000)

| Ref No. | Part No. | Description | Qty. |
|---------|-----------------|----------------------------------|------|
| 1 | YK186F-07401 | Inlet pipe | 1 |
| 2 | YK168F-07402 | Tightening Bolt Of Air Cleaner | 1 |
| 3 | YK186F-07001 | Air Cleaner Washer | 1 |
| 4 | YK186F-07300 | Air Cleaner Bottom Case Assembly | 1 |
| 5 | GB/T6177.1-2000 | Nut M6 | 4 |
| 6 | YK186F-07303 | Shockproof Sheet Gasket II | 1 |
| 7 | YK186F-07100 | Air Cleaner Element Assembly | 1 |
| 8 | YK186F-07101 | Shockproof unit | 1 |

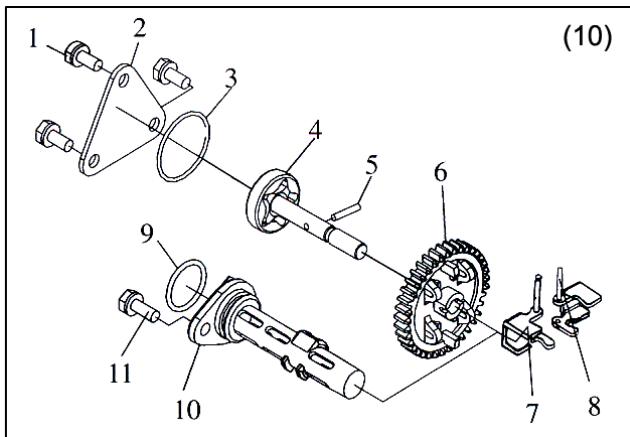
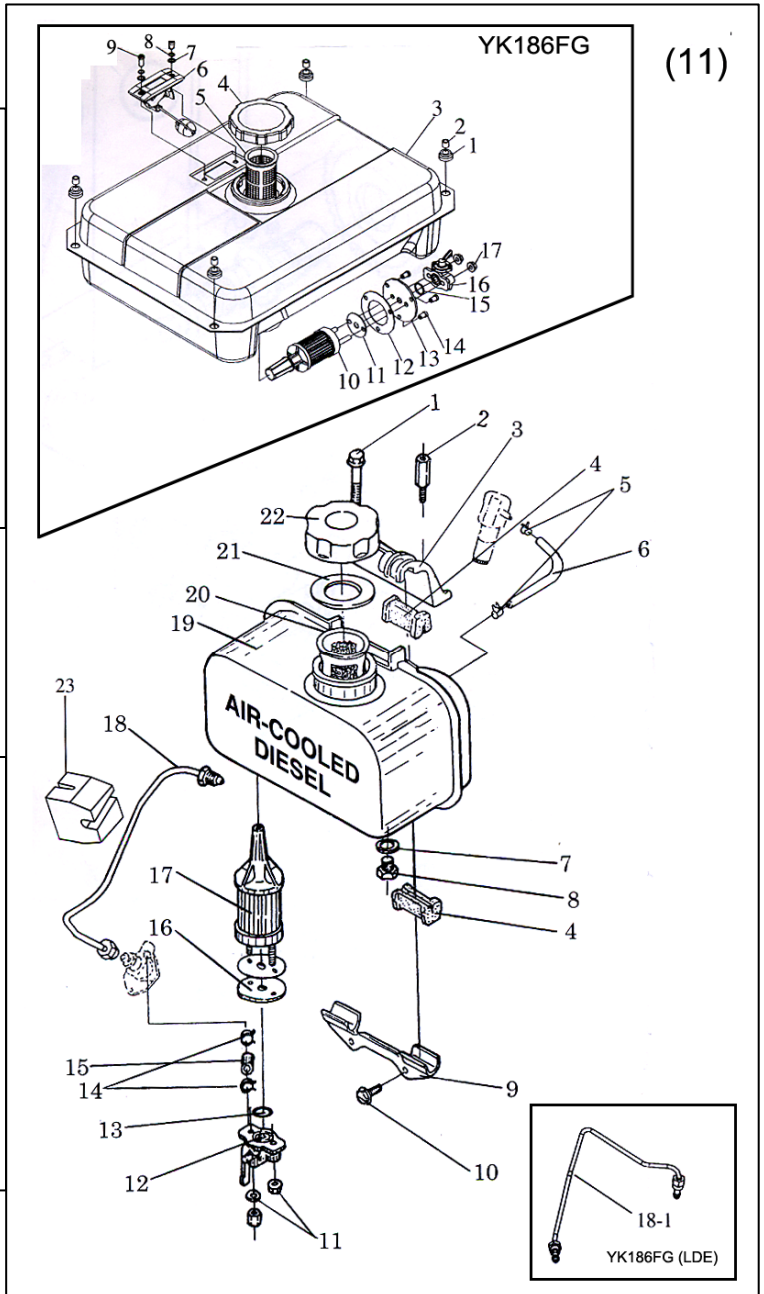
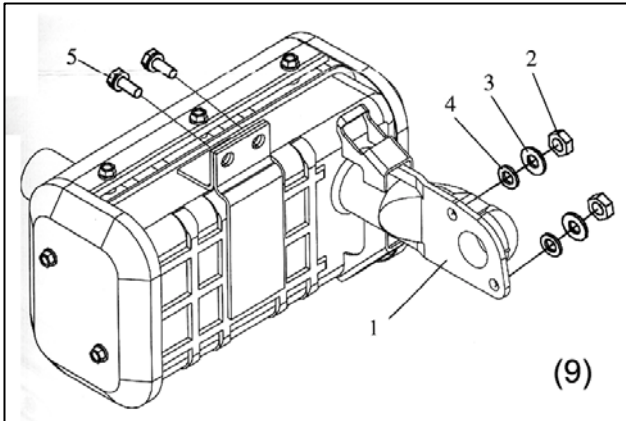
YK186F AIR-COOLED DIESEL ENGINE PARTS CATALOG

| | | | |
|------|----------------------|--------------------------|---|
| 9 | YK186F-07201 | Sheet Gasket | 1 |
| 10 | YK186F-07203 | Shockproof Sheet Gasket | 1 |
| 11 | YK186F-07200 | Air Cleaner Cover | 1 |
| 11-1 | YK186FGE (LDE)-07200 | Air Cleaner Cover | 1 |
| 12 | YK186F-07210 | Shockproof Seal Assembly | 1 |
| 13 | GB/T62-1988 | Nut M8 | 1 |

(8) Fuel Injection Valve Assembly (YK186F-13000)



| Ref No. | Part No. | Description | Qty. |
|---------|----------------|----------------------------|------|
| 1 | 11.435.127.003 | Fuel Injection Valve Block | 1 |
| 2 | 11.430.100.240 | Washer | |
| 3 | 11.430.613.001 | Volt-adjustment Spring | 1 |
| 4 | 11.433.120.000 | Mandril | 1 |
| 5 | 11.430.136.000 | Intermediate Block | 1 |
| 6 | 11.433.261.004 | Locating Pin | 2 |
| 7 | 11.433.172.001 | Fuel Injection Nozzle | 1 |
| 8 | 11.433.314.009 | Nozzle Forcing Nut | 1 |



YK186F AIR-COOLED DIESEL ENGINE PARTS CATALOG

(9) Muffler Assembly (YK186F-08000)

| Ref No. | Part No. | Description | Qty. |
|---------|---------------|------------------|------|
| 1 | YK186F-08000 | Muffler Assembly | 1 |
| 2 | GB/T6170-2000 | Nut M8 | 2 |
| 3 | GB/T93-1987 | Spring Gasket 8 | 2 |
| 4 | GB/T97.1-1985 | Gasket 8 | 2 |
| 5 | GB/T5789-1986 | Bolt M8x14 | 2 |

(10) Lubricating System (YK186F-09000)

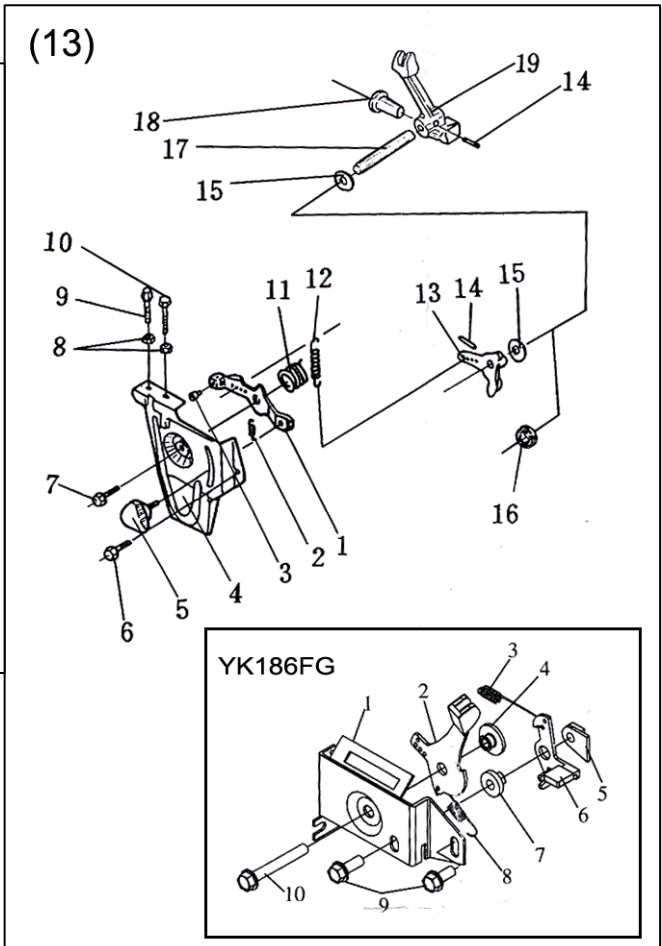
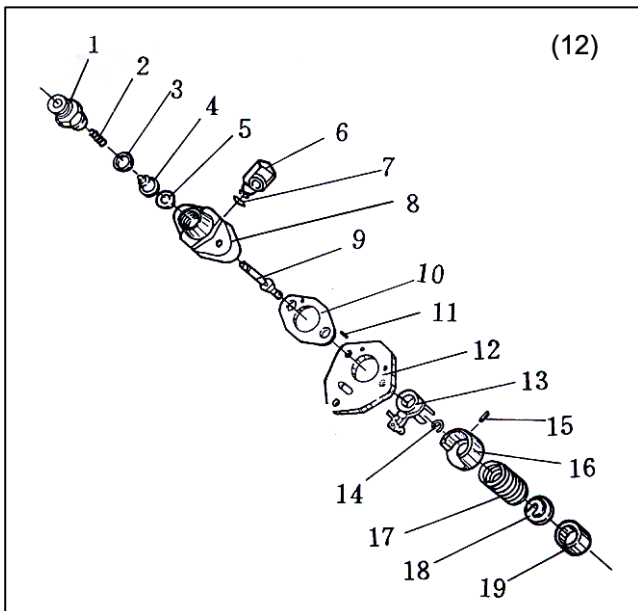
| Ref No. | Part No. | Description | Qty. |
|---------|-----------------|-----------------------------|------|
| 1 | GB/T5789-1986 | Bolt M6x12 | 3 |
| 2 | YK168F-09003 | Lube Oil Pump Cover | 1 |
| 3 | GB/T3452.1-1992 | O-Ring 34.5x1.8 | 1 |
| 4 | YK168F-09100 | Engine Oil Pump Unit | 1 |
| 5 | GB/T119.1-1986 | Pin 3x16 | 1 |
| 6 | YK178F-09002 | Drive Gear of Lube Oil Pump | 1 |
| 7 | YK168F-11001 | Flywheel Weight | 2 |
| 8 | YK168F-11002 | Flying Weight Pin | 2 |
| 9 | GB/T1235-1976 | O-Ring 25x2.4 | 1 |
| 10 | YK178F-09200 | Lube Oil Cleaner Assembly | 1 |
| 11 | GB/T5789-1986 | Bolt M6x14 | 1 |

(11) Fuel System (YK186F-10000)

| Ref No. | Part No. | Description | Qty. |
|---------------|-----------------|-------------------------------------|------|
| 1 | GB/T5789-1986 | Bolt M8x45 | 1 |
| 2 | YK168F-10003 | Set Bolt of Fuel Tank Upper Support | 1 |
| 3 | YK186F-10001 | Fuel Tank Upper Support | 1 |
| 4 | YK168F-10002 | Cushion | 4 |
| 5 | YK168F-10013 | Fuel Return Pipe Clip | 2 |
| 6 | YK168F-10012 | Fuel Return Pipe | 1 |
| 7 | YK168F-10008 | Drain Bolt Washer | 1 |
| 8 | GB/T5786-2000 | Bolt M12x1.25x14 | 1 |
| 9 | YK168F-10600 | Fuel Tank Lower Support | 1 |
| 10 | GB/T5789-1986 | Bolt M6x14 | 2 |
| 11 | GB/T6177.1-2000 | Nut M6 | 2 |
| 12 | YK168F-10400 | Fuel Tank Switch Assembly | 1 |
| 13 | GB/T3452.1-1992 | O-Ring 13.2x1.8 | 1 |
| 14 | YK168F-10011 | Clip | 2 |
| 15 | YK168F-10009 | Fuel Pipe | 1 |
| 16 | YK168F-10007 | Fuel Filter Washer | 1 |
| 17 | YK186F-10300 | Element Assembly | 1 |
| 18 | YK186F-10500 | High-pressure Fuel Pipe Unit | 1 |
| 18-1 | YK186FGE-10500 | High-pressure Fuel Pipe Unit | 1 |
| 19 | YK186F-10200 | Fuel Tank Weldment Assembly | 1 |
| 20 | YK168F-10004 | Fuel Filler Screen | 1 |
| 21 | YK168F-10102 | Washer | 1 |
| 22 | YK168F-10100 | Fuel Tank Cap | 1 |
| 23 | YK186F-10014 | Damp Cushion | 1 |
| YK186FG-10000 | | | |
| 1 | 5GFLDE-30004 | Cushion | 4 |

YK186F AIR-COOLED DIESEL ENGINE PARTS CATALOG

| | | | |
|----|----------------|-----------------------------|---|
| 2 | 5GFLDE-30005 | Sheath | 4 |
| 3 | 5GFLDE-31000 | Fuel Tank Weldment Assembly | 1 |
| 4 | 5GFLDE-07200 | Fuel Tank Cap | 1 |
| 5 | YK168F-10004 | Fuel Filler Screen | 1 |
| 6 | 5GFLDE-32000 | Fuel Indicator Assembly | 1 |
| 7 | GB/T93-1987 | Spring Gasket 5 | 2 |
| 8 | GB/T97.1-1985 | Gasket 5 | 2 |
| 9 | GB/T819.1-2000 | Plus Screw M5×12 | 2 |
| 10 | YK168F-10300 | Element Assembly | 1 |
| 11 | YK168F-10007 | Fuel Cleaner Washer | 1 |
| 12 | 5GFLDE-31007 | Joint Washer | 1 |
| 13 | 5GFLDE-31006 | Sealing Plate | 1 |
| 14 | GB/T819.1-2000 | Plus Screw M5×8 | 3 |
| 15 | YK168F-10016 | Sheet Gasket | 1 |
| 16 | YK168F-10400 | Throttle Switch Assembly | 1 |
| 17 | GB/T6187-19836 | Nut M6 | 2 |



(12) Fuel Injection Pump Assembly (YK186F-12000)

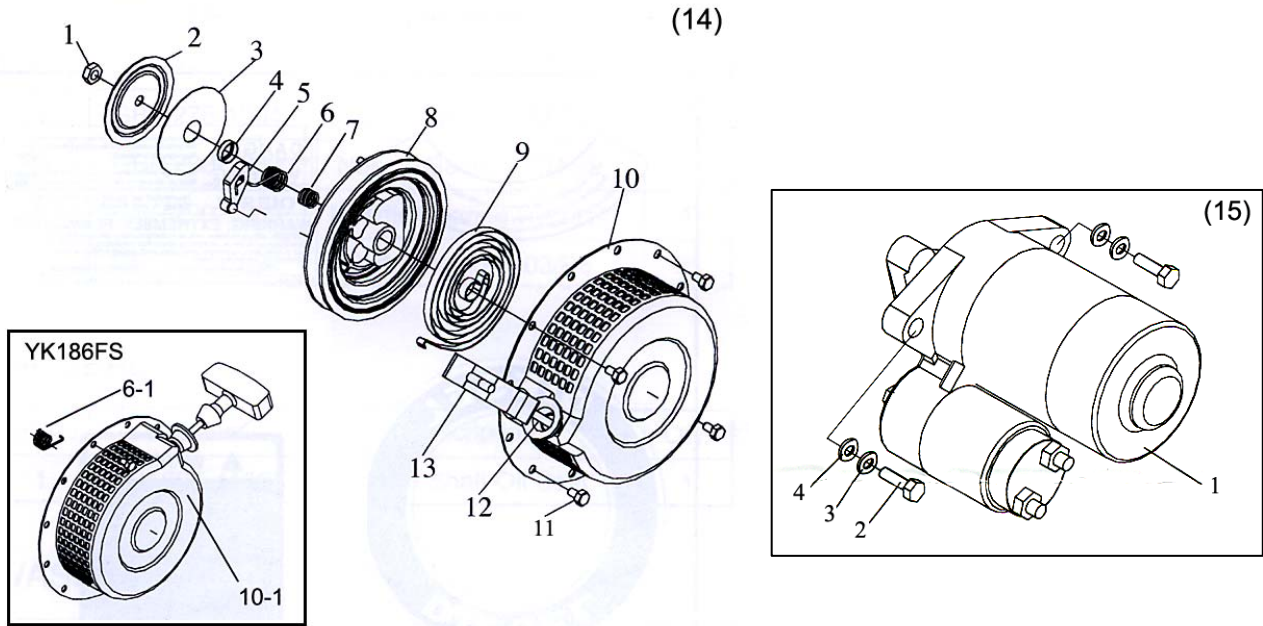
| Ref No. | Part No. | Description | Qty. |
|---------|----------------|------------------------------------|------|
| 1 | 11.413.372.001 | Fuel Delivery Valve Forcing Holder | 1 |
| 2 | 11.414.628.001 | Fuel Delivery Valve Spring | 1 |
| 3 | 11.410.100.005 | Fuel Delivery Valve Sheet Gasket | 1 |
| 4 | 11.418.502.108 | Fuel Delivery Valve Core | 1 |
| 5 | 11.418.600.203 | Fuel Delivery Valve Seat | 1 |
| 6 | 11.413.373.001 | Fuel Pipe Weldment Assembly | 1 |

YK186F AIR-COOLED DIESEL ENGINE PARTS CATALOG

| | | | |
|----|----------------|--|-------------|
| 7 | 11.400.210.004 | O-Ring | 1 |
| 8 | 11.415.101.001 | FIP Block | 1 |
| 9 | 11.418.205.501 | Plunger | 1 |
| 10 | 11.410.050.001 | Washer | As required |
| 11 | GB/T879-1986 | Pin 2×6 | 2 |
| 12 | 11.415.700.004 | FIP Connecting Plate | 1 |
| 13 | 11.410.326.003 | Fuel Limiting Sheath Weldment Assembly | 1 |
| 14 | 11.410.224.001 | Steel Clip | 1 |
| 15 | GB/T879-1986 | Pin 3×8 | 1 |
| 16 | 11.410.506.001 | Support | 2 |
| 17 | 11.414.633.001 | Spring | 1 |
| 18 | 11.410.330.003 | Spring Holder | 1 |
| 19 | 11.418.731.001 | Tappet | 1 |
| | YK186FG-12000 | Fuel Injection Pump Assembly | 1 |

(13) Governor & Controller Assembly (YK186F-11000)

| Ref No. | Part No. | Description | Qty. |
|---------------|-----------------|----------------------------------|------|
| 1 | YK168F-11300 | Control Handle | 1 |
| 2 | YK168F-11006 | Return Spring II | 1 |
| 3 | YK168F-11312 | Pull Lever Head | 1 |
| 4 | YK168F-11401 | Control Handle Support | 1 |
| 5 | YK168F-11301 | Handle | 1 |
| 6 | GB/T5789-1986 | Bolt M6×14 | 1 |
| 7 | Gb/T5789-1986 | Bolt M6×18 | 1 |
| 8 | GB/T6172.1-2000 | Nut M6 | 2 |
| 9 | YK168F-11403 | Pull Bolt | 1 |
| 10 | YK168F-11402 | High Speed Limit Screw | 1 |
| 11 | YK168F-11005 | Return Spring I | 1 |
| 12 | YK186F-11007 | Governor Spring | 1 |
| 13 | YK186F-11110 | Governor Lever Weldment Assembly | 1 |
| 14 | GB/T117-2000 | Pin 3×22 | 2 |
| 15 | YK168F-11003 | Gasket | 2 |
| 16 | YK168F-11008 | Lever Shaft Oil Seal | 1 |
| 17 | YK168F-11102 | Lever Shaft | 1 |
| 18 | YK186F-11004 | Governor Push Reel | 1 |
| 19 | YK186F-11101 | Fork | 1 |
| YK186FG-11000 | | | |
| 1 | YK186FG-11302 | Control Handle Support | 1 |
| 2 | YK186FG-11301 | Control Handle | 1 |
| 3 | YK186FG-11005 | Return Spring I | 1 |
| 4 | YK186FG-11303 | Control Handle Shaft | 1 |
| 5 | YK186FG-11400 | Retainer Weldment Assembly | 1 |
| 6 | YK186FG-11007 | Engine Shutoff Handle | 1 |
| 7 | YK186FG-11006 | Sheath | 1 |
| 8 | YK168F-11011 | Return Spring II | 1 |
| 9 | GB/T5783-1986 | Bolt M6×16 | 2 |
| 10 | GB/T5782-2000 | Bolt M6×25 | 1 |



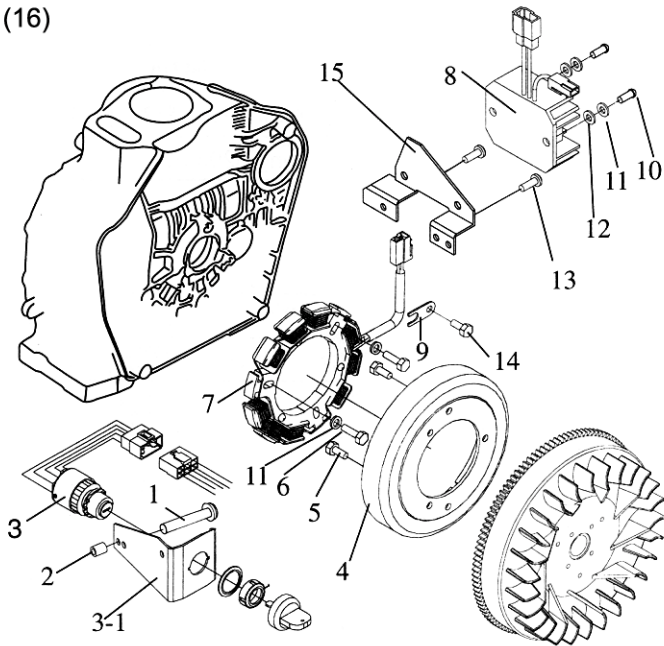
(14) Manual Starting Assembly (YK186F-14000)

| Ref No. | Part No. | Description | Qty. |
|---------|-----------------|----------------------|------|
| 1 | GB/T6177.1-2000 | Nut M6 | 1 |
| 2 | YK186F-14004 | Starter Ratchet Reel | 1 |
| 3 | YK186F-14002 | Friction Plate | 1 |
| 4 | YK186F-14003 | Gasket | 1 |
| 5 | YK186F-14008 | Starter Ratchet | 2 |
| 6 | YK186F-14011 | Return Spring | 1 |
| 6-1 | YK186FS-14011 | Return Spring | 1 |
| 7 | YK186F-14009 | Compression Spring | 1 |
| 8 | YK186F-14001 | Starter Reel | 1 |
| 9 | YK186F-14006 | Spiral Spring | 1 |
| 10 | YK186F-14100 | Outer Case Assembly | 1 |
| 10-1 | YK186FS-14100 | Outer Case Assembly | 1 |
| 11 | GB/T5789-1986 | Bolt M6×8 | 4 |
| 12 | YK178F-14005 | Starter Rope | 1 |
| 13 | YK178F-14007 | Starter Handle | 1 |

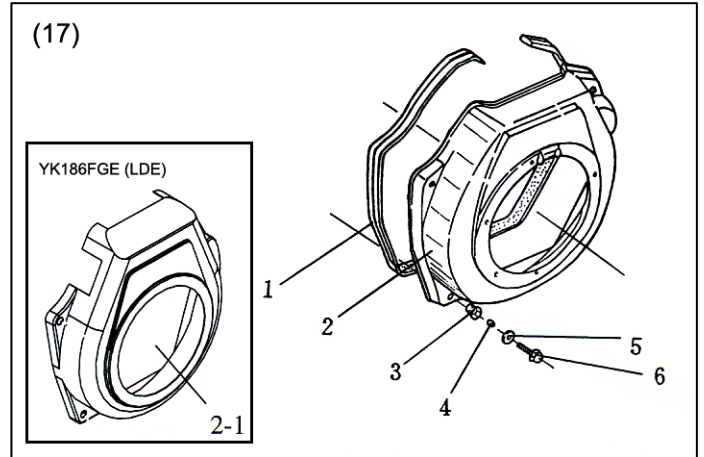
(15) Starting Motor Assembly

| Ref No. | Part No. | Description | Qty. |
|---------|---------------|-------------------------|------|
| 1 | YK186F-15100 | Starting Motor Assembly | 1 |
| 2 | YK186FS-15100 | Starting Motor Assembly | 2 |
| 3 | GB/T5782-2000 | Bolt M10×35 | 2 |
| 4 | GB/T93-1987 | Spring Gasket 10 | 2 |
| 5 | GB/T97.1-1985 | Bolt M8×14 | 2 |

(16)



(17)



(16) Flywheel Alternator Assembly

| Ref No. | Part No. | Description | Qty. |
|---------|----------------|----------------------------------|------|
| 1 | GB/T5789-1986 | Bolt M6×83 | 2 |
| 2 | YK168F-15002 | Long Gasket | 2 |
| 3 | YK168F-15200 | Starting Key Assembly | 1 |
| 3-1 | YK168F-15001 | Switch Board of Electric Starter | 1 |
| 4 | YK168F-16100 | Rotator Assembly | 1 |
| 5 | GB/T819.1-2000 | Screw M6×14 | 3 |
| 6 | GB/T5782-2000 | Bolt M6×20 | 3 |
| 7 | YK168F-16200 | Stator Assembly | 1 |
| 8 | YK168F-16400 | Volt Regulator Assembly | 1 |
| 9 | YK168F-16001 | Retainer | 1 |
| 10 | GB/T818-1988 | Bolt M6×14 | 2 |
| 11 | GB/T97.1-1985 | Gasket 6 | 5 |
| 12 | GB/T93-1987 | Gasket 6 | 2 |
| 13 | GB/T5789-1986 | Screw M6×14 | 2 |
| 14 | GB/T5789-1986 | Screw M6×12 | 1 |
| 15 | YK168F-16301 | Support I of Governor | 1 |

(17) Fan Cover Assembly (YK186F-17000)

| Ref No. | Part No. | Description | Qty. |
|---------|--------------------|-----------------------------|------|
| 1 | YK186F-17003 | Cushion | 1 |
| 2 | YK186F-17100 | Fan Cover Weldment Assembly | 1 |
| | YK186FS-17100 | Fan Cover Weldment Assembly | 1 |
| 2-1 | YK186FGE LDE-17100 | Fan Cover Weldment Assembly | 1 |
| 3 | YK168F-17002 | Cushion Sheath | 4 |
| 4 | YK168F-17001 | Sheath | 4 |
| 5 | GB/T96-1985 | Gasket 6 | 4 |
| 6 | GB/T5789-1986 | Bolt M6×22 | 4 |